

Room Temperature Sensor

vandalproof though concealed mounting

QAA64



Use

Acquisition of room temperature in spaces where the detector needs to be protected against damage or destruction by people. Such spaces are public buildings like schools, administrative buildings, multi-purpose halls, etc.

Equipment combinations

All systems/units that are capable of acquiring and handling LG-Ni 1000 signals, such as:

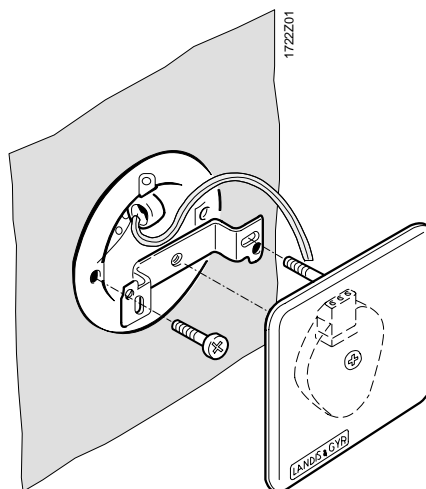
- UNIGYR[®]/VISONIK[®] via a measured value module (measured value input for temperature detector LG-Ni 1000)
- AEROGYR[™], TEC, POLYGYR[®]

Mechanical design

The QAA64 has been designed specifically for installation on recessed conduit boxes having a fixing hole circle dia. of 60 or 69 mm.

The unit consists of a white plastic cover and a fixing bracket made of metal. The rear of the cover carries the connecting terminal strip and a measuring element LG-Ni 1000.

The fixing bracket is fitted inside the recessed conduit box. A captive screw is used to secure the cover to the bracket.



Engineering notes

For the permissible lengths of lines and measured value errors, refer to «Basic System Data» of the respective control system.

If, for some reason, the detector cannot be mounted in a location where it can correctly acquire the room temperature, a resistor can be mounted to correct or adjust the measurement. For this purpose, the detector has an auxiliary terminal (for details, contact Landis & Staefa service personnel).

Fitting and installation notes

Location: On an inner wall of the space to be heated, if possible on the wall opposite the heating unit. Not in recesses or shelves, not above or near heat sources.

The end of the conduit at the detector must be sealed to prevent false measurements due to draughts through the conduit.

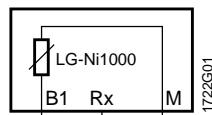
The connecting wires are interchangeable.

Installation instructions are supplied with the unit.

Technical data

Measuring range	0...50 °C
Sensing element	LG-Ni 1000
Time constant	6.5 min (depending on air movement and thermal coupling to the wall)
Connecting terminals for	2 x 1.5 mm ² or 1 x 2.5 mm ²
Perm. ambient temperature	
Operation	0...50 °C
Transport and storage	-25...+65 °C
Perm. ambient humidity	
Operation	85 % r.h. for 60 days (G) DIN 40 040
Transport and storage	95 % r.h. for 30 days (E) DIN 40 040
Insulation class	III EN 60 730
Protection standard of casing	IP 40 IEC 529 (DIN 40050)
Weight	approx. 0.06 kg

Internal diagram



B1	Room temperature measuring signal
M	Measuring neutral
Rx	Auxiliary terminal

Dimensions

