

ASC9.3...U Dual Auxiliary Switches

Product Description



This package contains a dual auxiliary switch and a black NEC Class I compliant wiring compartment cover for use on the SKB/C/D8... three-position valve actuators.

Product Numbers

ASC9.3BCU

ASC9.3DU

Warning/Caution Notations

WARNING		Personal injury/loss of life may occur if a procedure is not performed as specified.
CAUTION		Equipment damage, or loss of data may occur if the user does not follow procedure as specified.

Prerequisites



WARNING:

Disconnect power supply to the actuator before beginning to install the switch.

Required Tools

- 1/8" and 1/4" flat blade screwdrivers
- Phillips screwdriver

Instructions

1. Use a 1/4" flat blade screwdriver to remove the actuator cover.
2. Remove the upper conduit opening knock-out. See *Figure 1*.
3. Feed the wires through the conduit. Attach the flexible conduit to the actuator.

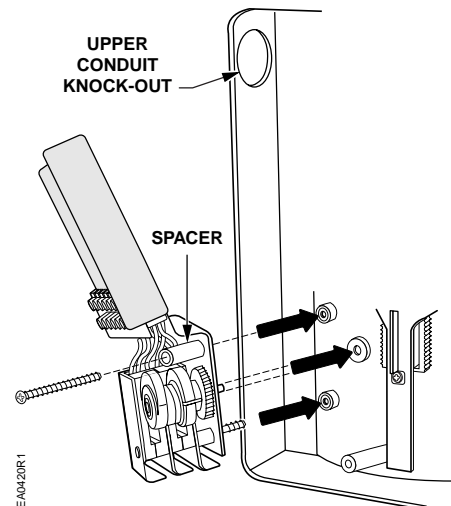


Figure 1. Step 4.

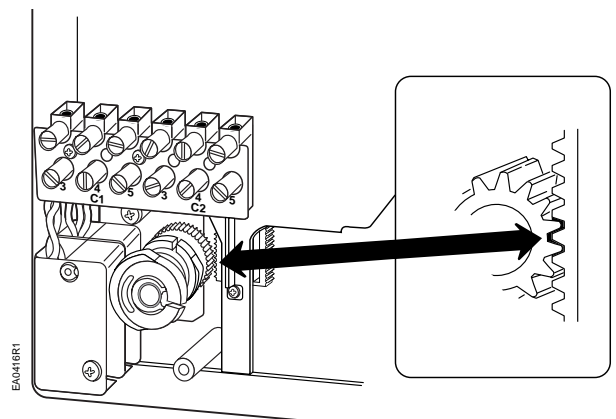


Figure 2. Step 5.

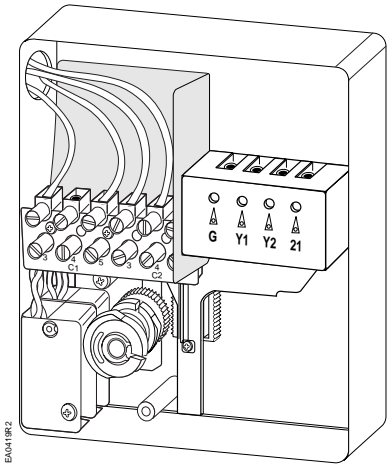


Figure 3. Step 6.

NOTE: Make sure the barrier is in place.

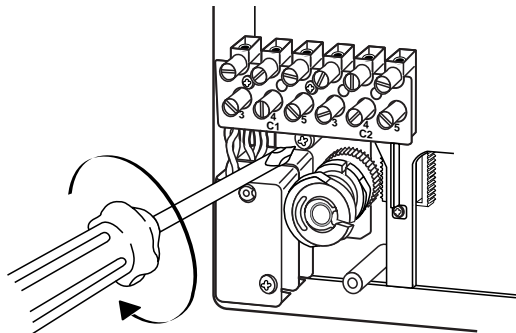


Figure 4. Step 7.

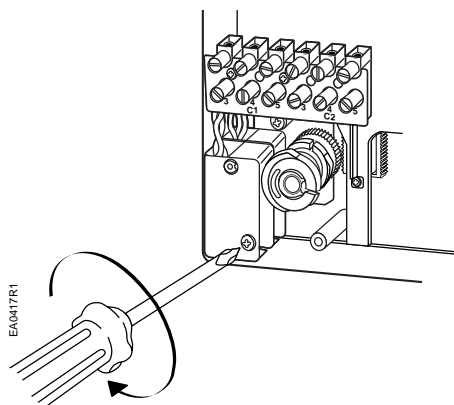


Figure 5. Step 8.

Wiring

Attach the wires to the terminals.

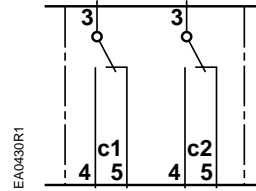


Figure 6. Wiring Diagram.

Switch Adjustment

1. Connect the valve stem to the actuator.
2. Preferably, make the electrical connections to the actuator.
3. Move the actuator either electrically (preferably) or mechanically to the desired stroke position.
4. With a flat blade screwdriver turn the switch cam until an audible click indicates the switch is actuated. See Figure 7.
5. Repeat steps 3 and 4 for setting the c2 switch cam. See Figure 7.

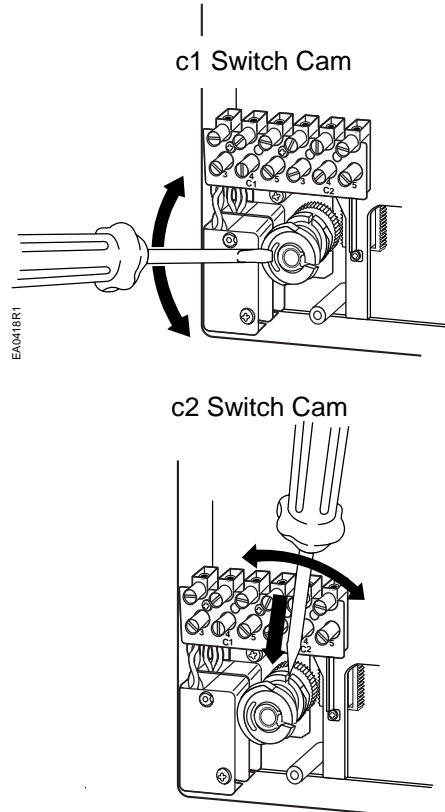


Figure 7. Adjusting the Switches.

Replacing the Cover

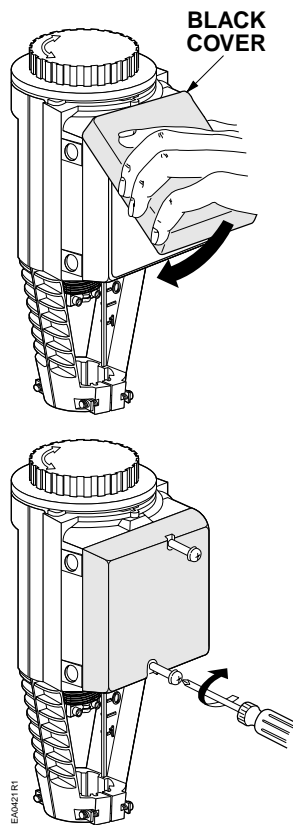


Figure 8. Attaching the cover.

Use a Phillips or 1/4" flat blade screwdriver to tighten the black cover onto the actuator.

References

Technical Instructions	Document Number
EA 599-2 SKB/C 3-position Actuator	155-171P25
EA 599-5 SKD 3-position Actuator	155-181P25
Installation Instructions	
SKB/C...	129-185
SKD...	129-217

Information in this publication is based on current specifications. The company reserves the right to make changes in specifications and models as design improvements are introduced. © 1999 Siemens Building Technologies, Inc.