

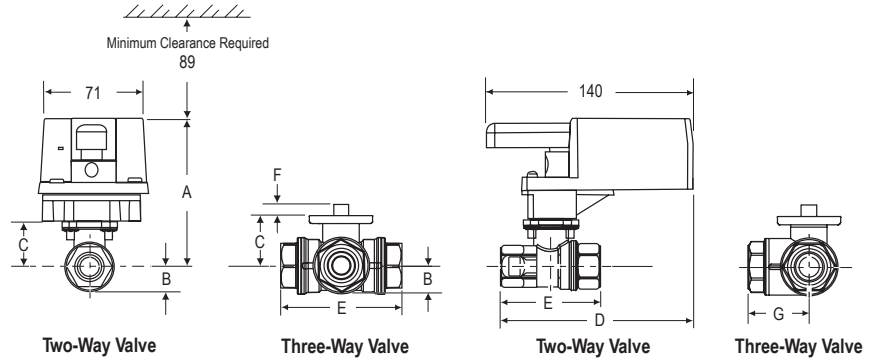
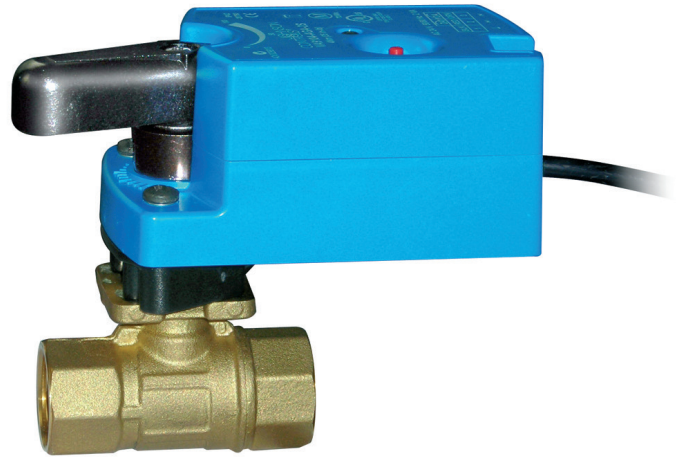
**VA9104-AGA-1S / VA9104-IGA-1S / VA9104-IUA-1S**  
Electric Non-Spring Return Valve Actuators

**Application**

The **VA9104** electric actuator series have been developed for the operation of ball valves. These synchronous, motor-driven direct mountable actuators are used to provide accurate positioning on VG1000 series DN15, DN20 and DN25 ball valves.

**Features**

- ON/OFF and Floating control with Timeout
- Load-independent running time
- Up to 5 actuators in parallel operation possible
- Manual release button
- 1,2 m. PVC cable



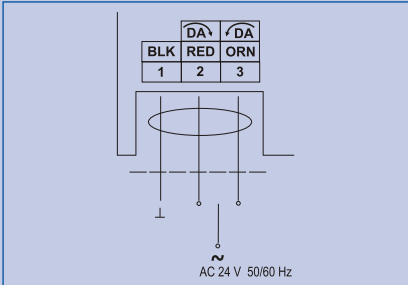
**Dimensions (in mm)**

Valve Size (DN)*	A	B	C	D	E	F	G
DN15	98	17	31	129	64	9	32
DN20	98	17	31	133	71	9	36
DN25	100	19	33	141	87	9	43

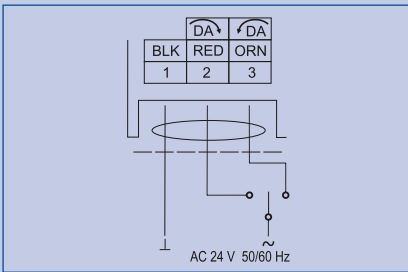
Note: \* On models with the flow-characterizing disk, the disk is located in Port A. Port A must be the Valve inlet.

VA9104-AGA-1S / VA9104-IGA-1S / VA9104-IUA-1S  
Electric Non-Spring Return Valve Actuators

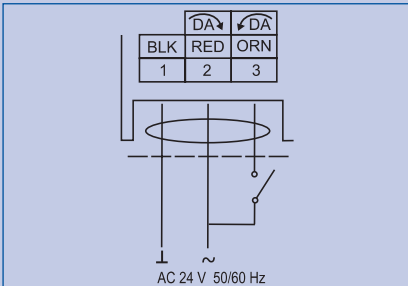
Control Wiring Diagrams



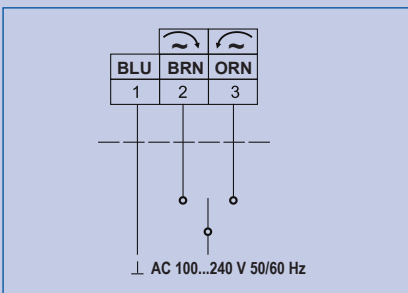
VA9104-AGA-1S



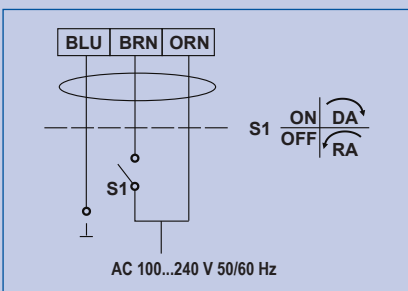
VA9104-IGA-1S Floating



VA9104-IGA-1S - ON/OFF

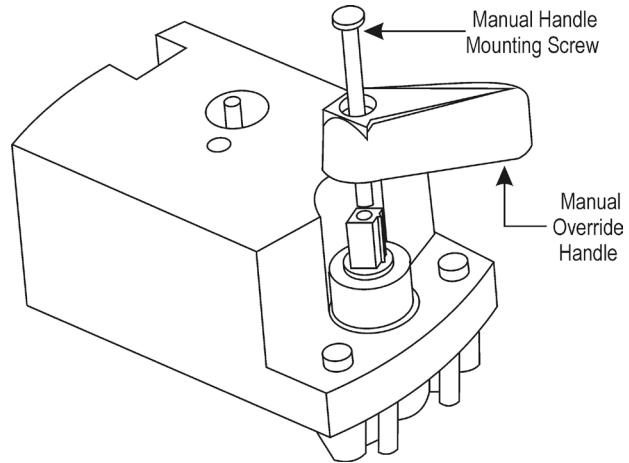


VA9104-IUA-1S Floating




VA9104-IUA-1S - ON/OFF

Mounting



**VA9104-AGA-1S / VA9104-IGA-1S / VA9104-IUA-1S**  
Electric Non-Spring Return Valve Actuators

**Technical Specifications**

Product Codes	VA9104-AGA-1S	VA9104-IGA-1S	VA9104-IUA-1S
<b>Power Requirements</b>	AC 24 V +25% / -20% at 50/60 Hz		AC 100 to 240V -15%/+10% at 50/60 Hz
	2.1 VA	3.0 VA	7.5 VA Supply and 0.07 A
<b>Control Type</b>	Floating Control without Timeout		ON/OFF and Floating Control With Timeout
<b>Input Signal</b>	AC 24 V +25% / -20% at 50/60 Hz, SELV or Class II		AC 100 to 240V -15%/+10% at 50/60 Hz Class II
<b>Feedback Signal</b>	---		
<b>Motor Input Impedance</b>	200 ohms Nominal		
<b>Running Torque</b>	4 Nm		
<b>Travel Time (for 90° of Rotation)</b>	60 Seconds at 60 Hz 72 Seconds at 50 Hz		
<b>Rotation Range</b>	93° ±3°, CW or CCW		
<b>Cycles</b>	100,000 Full Stroke Cycles; 2,500,000 Repositions at Rated Running Torque		
<b>Audible Noise Rating</b>	35 dBA Nominal at 1 m		
<b>Electrical Connections</b>	1.2 m Polyvinyl Chloride (PVC) cable		
<b>Mechanical Connections</b>	Up to 13 mm Diameter Round Damper Shafts, or 10 mm Square Damper Shafts		
<b>Enclosure</b>	IP 42		
<b>Ambient Conditions</b>	- <b>Operating</b> -20 to 60 °C; 90% RH Maximum, Noncondensing - <b>Storage</b> -40 to 85 °C; 90% RH Maximum, Noncondensing		
<b>Fluid Temperature Limits (Actuator and Valve Assembly)</b>	- <b>Water</b> VG1205 and VG1805 Series Valves: -30 to +95 °C (140 °C with M9000-561 Thermal Barrier) - <b>Steam</b> Rated for Steam Service only with M9000-561 Thermal Barrier		
<b>Shipping Weight</b>	0.5 Kg		
 <b>Compliance</b>	Johnson Controls declares that these products are in compliance with the essential requirements and other relevant provisions of the EMC Directive and Low Voltage Directive		

**Ordering Codes**

Codes	Descriptions
<b>VA9104-AGA-1S</b>	4 Nm, AC 24 V with 1,2 PVC cable
<b>VA9104-IGA-1S</b>	4 Nm, AC 24 V with 1,2 PVC cable
<b>VA9104-IUA-1S</b>	4 Nm, AC 100 to 240V with 1,2 PVC cable

**Building Efficiency**

Headquarters: Milwaukee, Wisconsin, USA  
Branch Offices: Principal Cities World-wide

Metasys® and Johnson Controls® are registered trademarks of Johnson Controls  
All other marks herein are the marks of their respective owners.

© Copyright 2017 Johnson Controls. All rights reserved. Any unauthorized use or copying is strictly prohibited.